

# Technical data sheet



## Product features

### Food display island chilled GN 6-1/1 Hemlock

<b>Model</b>	<b>SAP Code</b>	00012121
--------------	-----------------	----------



- Buffet type: LIME
- Device properties: Chilled
- Number of GN / EN: 6
- GN / EN size in device: GN 1/1
- GN device depth: 30
- Minimum device temperature [°C]: 4
- Maximum device temperature [°C]: 8

<b>SAP Code</b>	00012121	<b>Loading</b>	230 V / 1N - 50 Hz
<b>Net Width [mm]</b>	2144	<b>Number of GN / EN</b>	6
<b>Net Depth [mm]</b>	650	<b>GN / EN size in device</b>	GN 1/1
<b>Net Height [mm]</b>	1288	<b>GN device depth</b>	30
<b>Net Weight [kg]</b>	123.00	<b>Minimum device temperature [°C]</b>	4
<b>Power electric [kW]</b>	0.247	<b>Maximum device temperature [°C]</b>	8

# Technical data sheet



Technical drawing

Food display island chilled GN 6-1/1 Hemlock

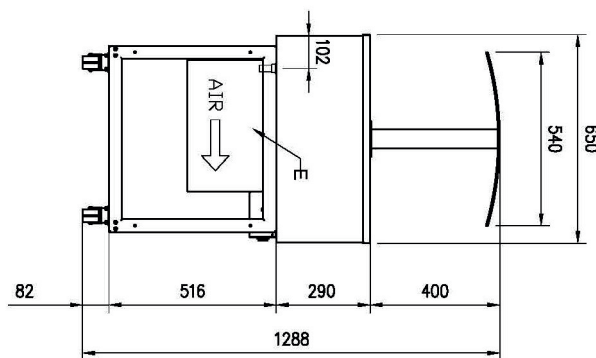
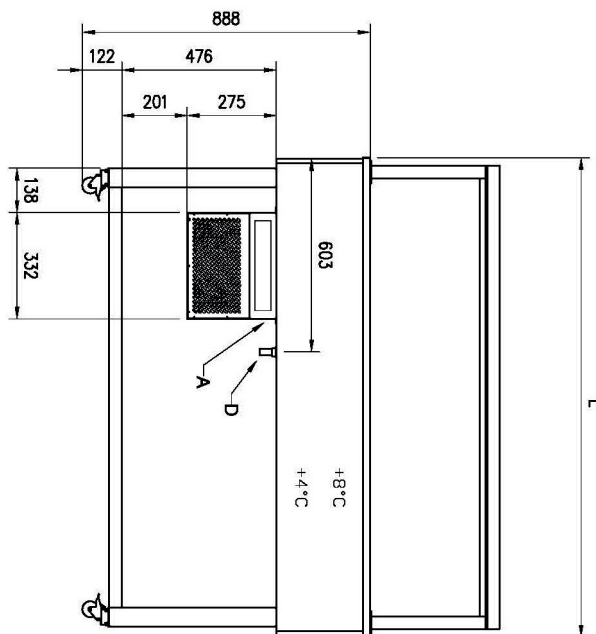
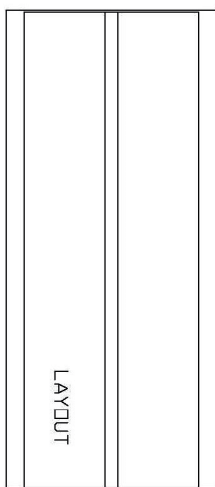
Model

SAP Code

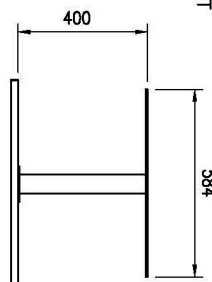
00012121

A= ELECTRICAL CONNECTION  
 D= WATER DISCHARGE ø16  
 E= GAS CONNECTION ø6 ø8  
 F= WATER BOX

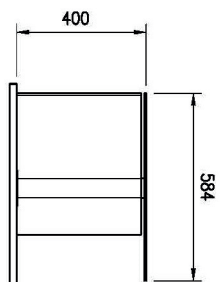
GN	L
3/1	1169
4/1	1494
6/1	2144



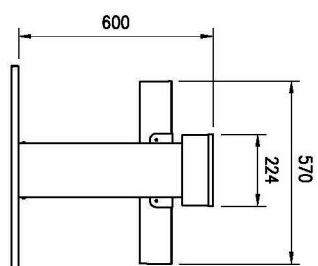
FLAT



SERVICE



TRADITION



# Technical data sheet



## Product benefits

### Food display island chilled GN 6-1/1 Hemlock

Model

SAP Code

00012121

1

#### Static cooling

simultaneous use of direct injection and boiler, maintenance of 100% humidity, or its regulation

- less drying of food
- more economical

2

#### Depth 30mm

the possibility of placing plates and trays

- variability of use

3

#### All-stainless steel construction

harmless to health for contact with food  
robustness

- perfect sanitation
- long service life

4

#### Rounded corners

basins without sharp edges and corners

- higher hygienic safety
- time saving due to easy cleaning

5

#### LED lighting

basins without sharp edges and corners

- economical lighting
- attractive appearance

6

#### Travel wheels

portable buffet table

- greater flexibility in dispensing
- possibility of use at banquets
- easier and safer handling

7

#### Breathing galley with trigger

galerka made of hygienic Plexiglas with motorized displacement

- hygienic food protection
- the possibility of sealing before dispensing - extending the shelf life of food

# Technical data sheet



## Technical parameters

### Food display island chilled GN 6-1/1 Hemlock

**Model**

**SAP Code**

00012121

**1. SAP Code:**

00012121

**2. Net Width [mm]:**

2144

**3. Net Depth [mm]:**

650

**4. Net Height [mm]:**

1288

**5. Net Weight [kg]:**

123.00

**6. Gross Width [mm]:**

2208

**7. Gross depth [mm]:**

714

**8. Gross Height [mm]:**

1100

**9. Gross Weight [kg]:**

149.10

**10. Device type:**

Electric unit

**11. Material:**

Stainless steel

**12. Buffet type:**

LIME

**13. Device properties:**

Chilled

**14. Exterior color of the device:**

Hemlock

**15. Power electric [kW]:**

0.247

**16. Loading:**

230 V / 1N - 50 Hz

**17. Number of GN / EN:**

6

**18. GN / EN size in device:**

GN 1/1

**19. GN device depth:**

30

**20. Minimum device temperature [°C]:**

4

**21. Maximum device temperature [°C]:**

8

**22. Interior lighting:**

No

**23. Cross-section of conductors CU [mm<sup>2</sup>]:**

0,5

- Výkon (kW): 2,4-3,3 (230 V)

**24. Refrigerant:**

R290